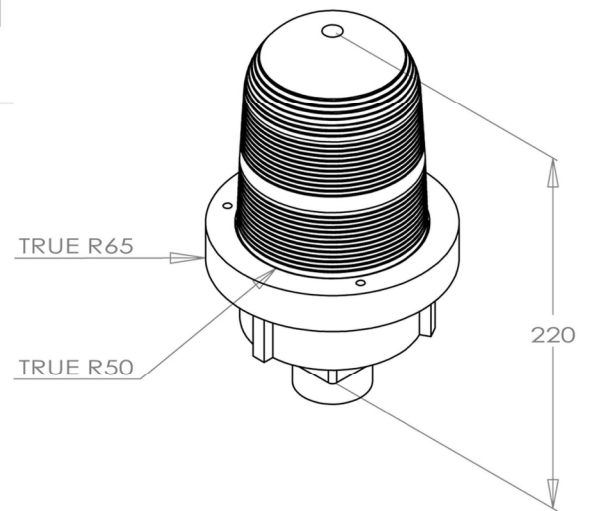
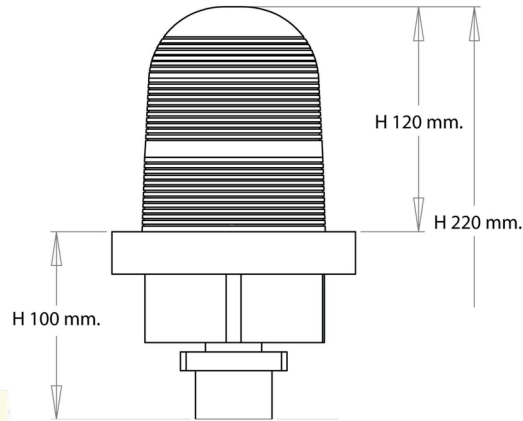


Red Cover Lamp For Aviation System



Technical Specifications

Dimension	W130 x H220 mm.
Weight	1.2 Kg.
Diameter	650 mm
Light Source	LED Blub
Installation Size	Diameter 30mm.
Ambient Temperature	-55 C To 105 C
Lamp cover material	Red Fresnel Lenses
Lamp base material	Aluminium
Strong corrosion resistance	Yes
Shock and Vibrations protection	Yes
UV protection	Yes
Photocell automatically	N/A
Wind	80 m/s
Light Scattering	Horizontal 360 , Vertical 55